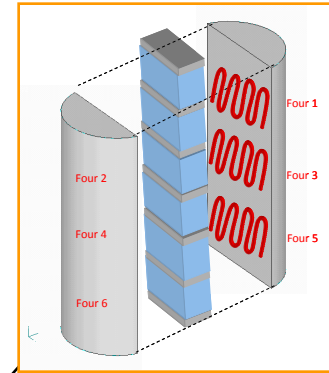


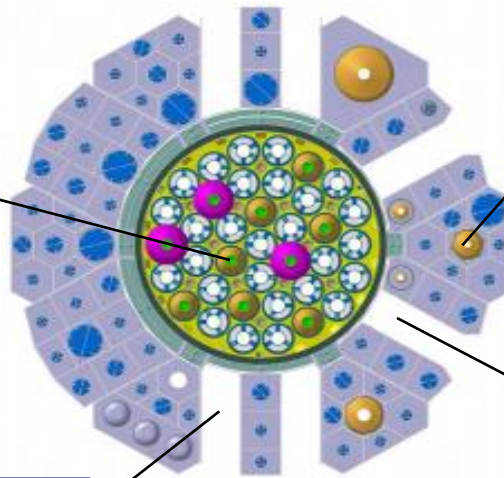


# Test devices under development

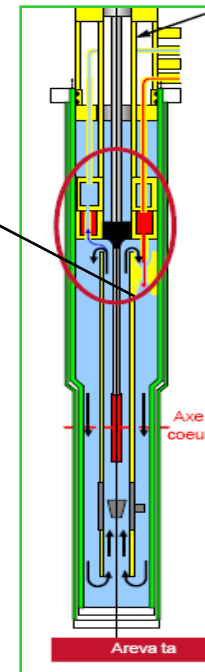
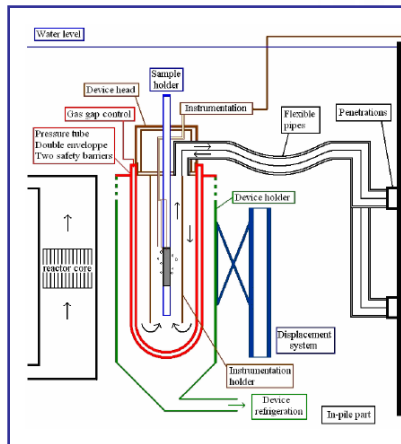
**CALIPSO & MICA**  
For material testing under high dpa and controlled thermal gradient



**OCCITANE**  
For pressure vessel steel testing



**MADISON**  
For fuel testing under nominal conditions



**ADELIN**  
For fuel testing under off-normal conditions

Areva ta